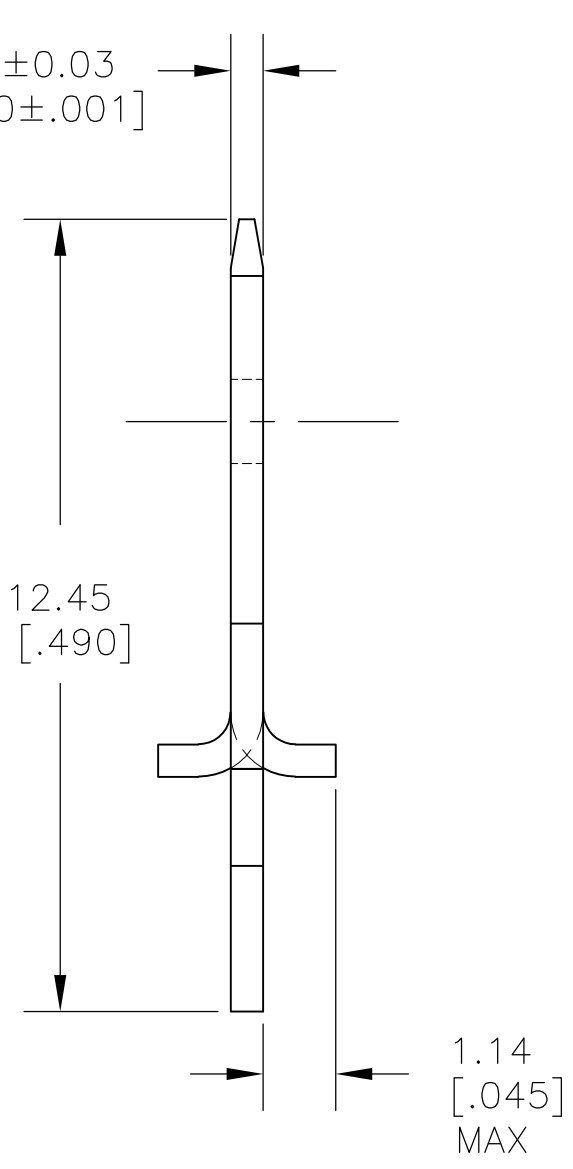
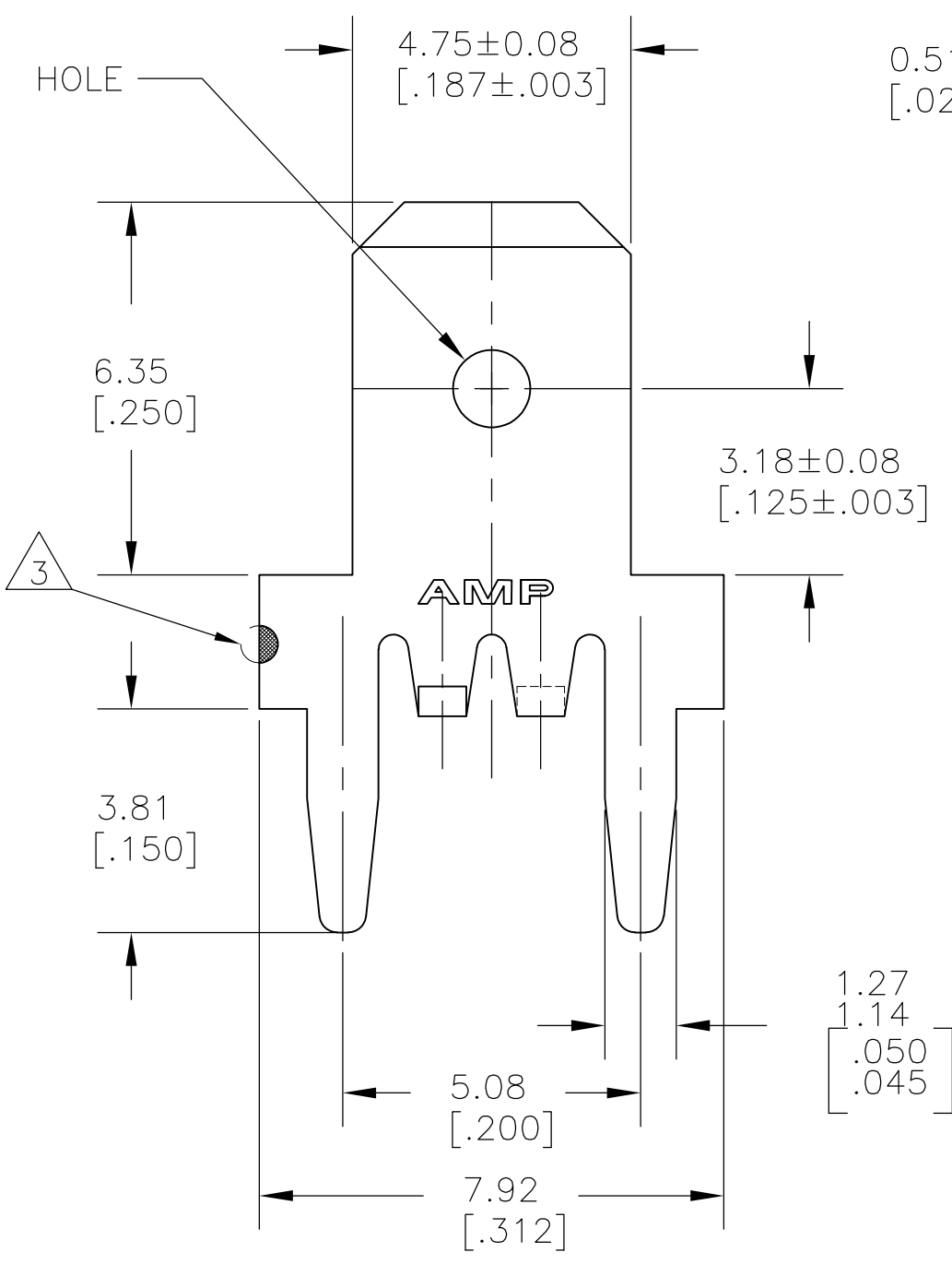
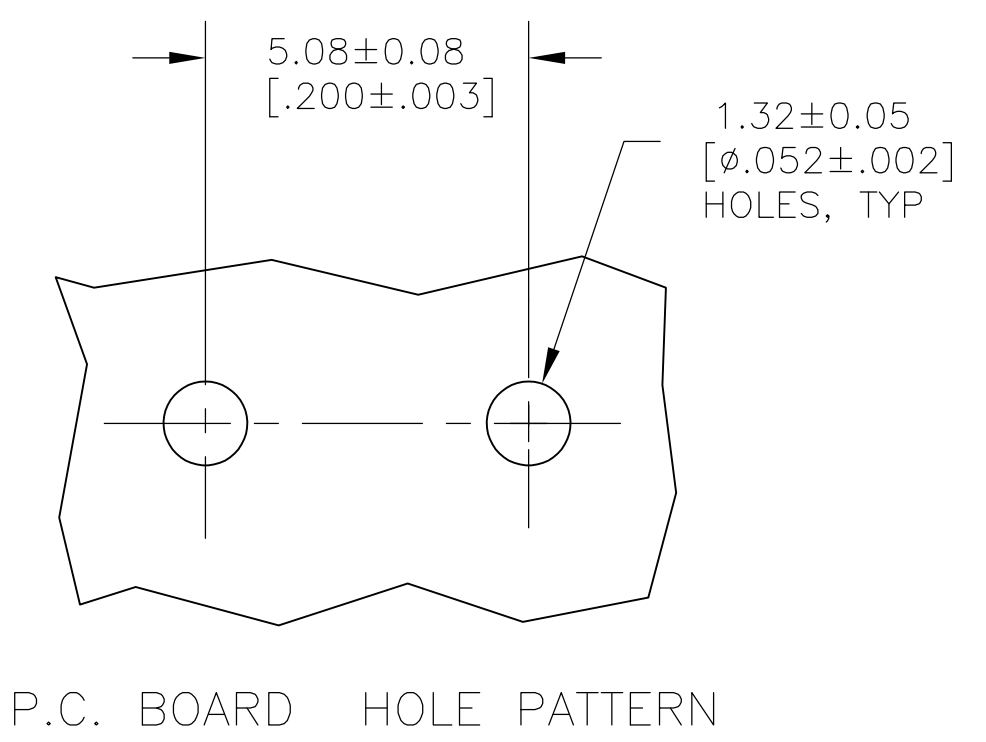


THIS DRAWING IS UNPUBLISHED. RELEASED FOR PUBLICATION
 © COPYRIGHT - By - ALL RIGHTS RESERVED.

LOC	DIST	REVISIONS			
P	LTR	DESCRIPTION	DATE	DWN	APVD
AF	50	E	REVISED PER ECR-13-001204	24JUN13	KH PD



- 1 SUPPLIED IN LOOSE PIECE
- 2 TIN PLATE 0.00381 [.000150] MIN OVER 0.00254 [.000100] MIN THK COPPER OR TIN PLATE 0.00381 [.000150] MIN OVER 0.00127 [.000050] MIN NICKEL.
- 3 OPTIONAL ID MARK, LOCATED APPROX AS SHOWN.



63823-1	63982-1
STRIP P/N	PART NO.

THIS DRAWING IS A CONTROLLED DOCUMENT.		DWN	JR RUTH	13FEB01	 TE Connectivity	NAME		TAB, FASTON, P.C.BOARD			
DIMENSIONS: mm [INCHES]		CHK	MS FEHER	13FEB01		PRODUCT SPEC		4.75 [.187]			
TOLERANCES UNLESS OTHERWISE SPECIFIED:		APVD	N DEIBERT	13FEB01		APPLICATION SPEC		SIZE			
0 PLC ± - 1 PLC ± - 2 PLC ± 0.25 [.010] 3 PLC ± - 4 PLC ± - ANGLES ± -		PRODUCT SPEC		114-2115		CAGE CODE		DRAWING NO			
MATERIAL		FINISH		WEIGHT		RESTRICTED TO		SCALE			
BRASS		2		-		A3 00779		C-63982			
CUSTOMER DRAWING						SCALE		SHEET		REV	
						8:1		1 OF 1		E	